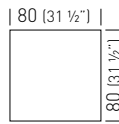


# Q2

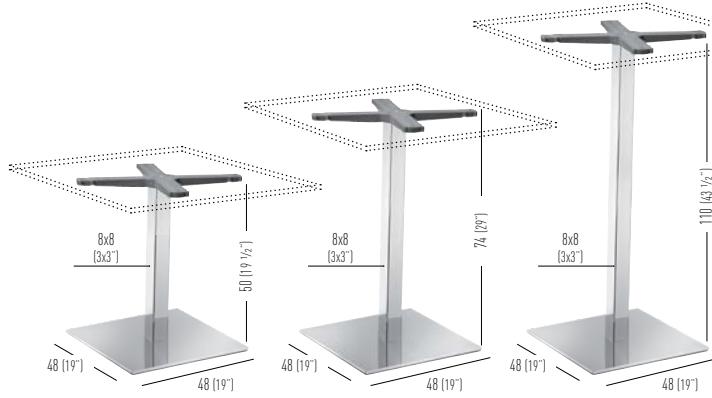
**H50-H74-H110 square steel table base, 80x80mm steel column with cross.**  
 Base per tavolo quadrata in acciaio H50, H74 e H110, colonna in acciaio 80x80mm, crociera.

Top max dimensions / Massima dimensione piano



Available table tops / Piani tavolo disponibili

compactop  
laminated  
iron  
steel slim



Finishes for Q bases / Finiture per basamenti serie Q

For orders under 10no. surcharge 20€ each unit  
 Per ordini inferiori ai 10pz + €20,00 ogni unità.

Polished Steel-Chromed Column / Acciaio Lucido-Colonna Cromata

	H50	BAQ2B.A	0.07m <sup>3</sup> / 18kg / 1pc
	H74	BAQ2.A	0.07m <sup>3</sup> / 18kg / 1pc
	H110	BAQ2A.A	0.09m <sup>3</sup> / 20kg / 1pc

Satin Steel-Satin Column / Acciaio Satinato-Colonna Satinata

	H50	BAQ2B.S	0.07m <sup>3</sup> / 18kg / 1pc
	H74	BAQ2.S	0.07m <sup>3</sup> / 18kg / 1pc
	H110	BAQ2A.S	0.09m <sup>3</sup> / 20kg / 1pc

White Painted / Verniciata Bianca

	H50	BAQ2B.00	0.07m <sup>3</sup> / 18kg / 1pc
	H74	BAQ2.00	0.07m <sup>3</sup> / 18kg / 1pc
	H110	BAQ2A.00	0.09m <sup>3</sup> / 20kg / 1pc

Black Painted / Verniciata Nera

	H50	BAQ2B.10	0.07m <sup>3</sup> / 18kg / 1pc
	H74	BAQ2.10	0.07m <sup>3</sup> / 18kg / 1pc
	H110	BAQ2A.10	0.09m <sup>3</sup> / 20kg / 1pc